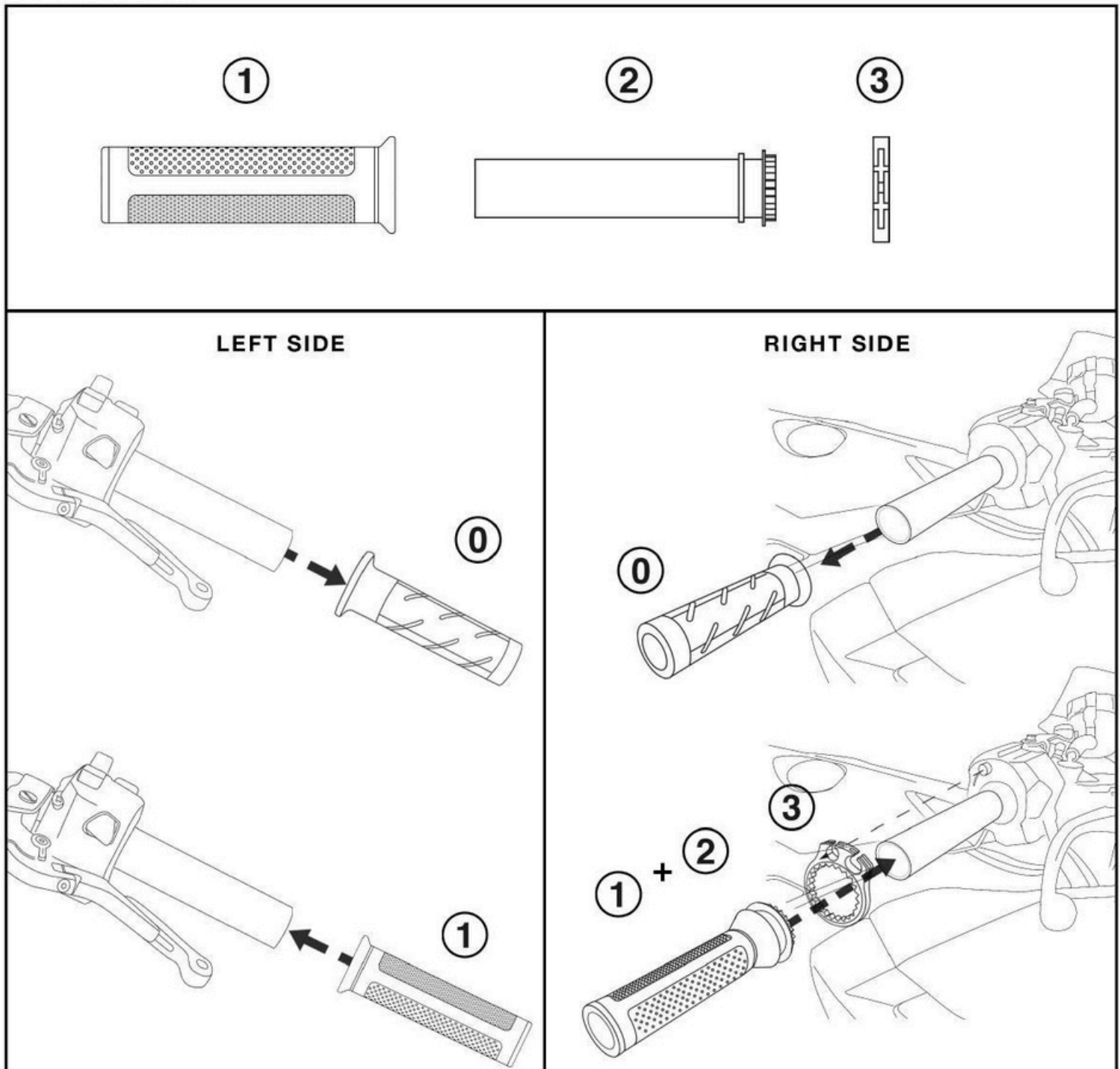


**ASSEMBLING INSTRUCTION*****B-Lux & Racing grips*****KIT**

- 0.** ORIGINAL COMPONENT
- 1.** THROTTLE PIPE
- 2.** GRIPS
- 3.** THROTTLE ADAPTER

***Moto Morini models with mechanical-operated throttle*****COMPLETE SET**

## ASSEMBLING INSTRUCTION

### *B-Lux & Racing grips*

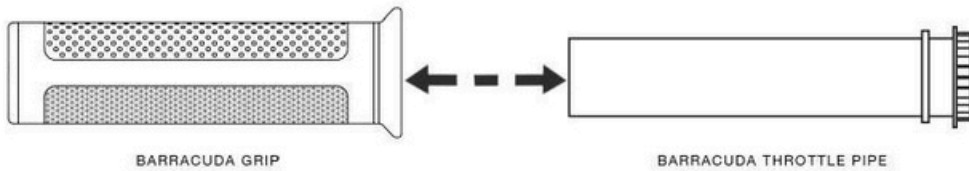
#### KIT

- 0. ORIGINAL COMPONENT
- 1. THROTTLE PIPE
- 2. GRIPS
- 3. THROTTLE ADAPTER

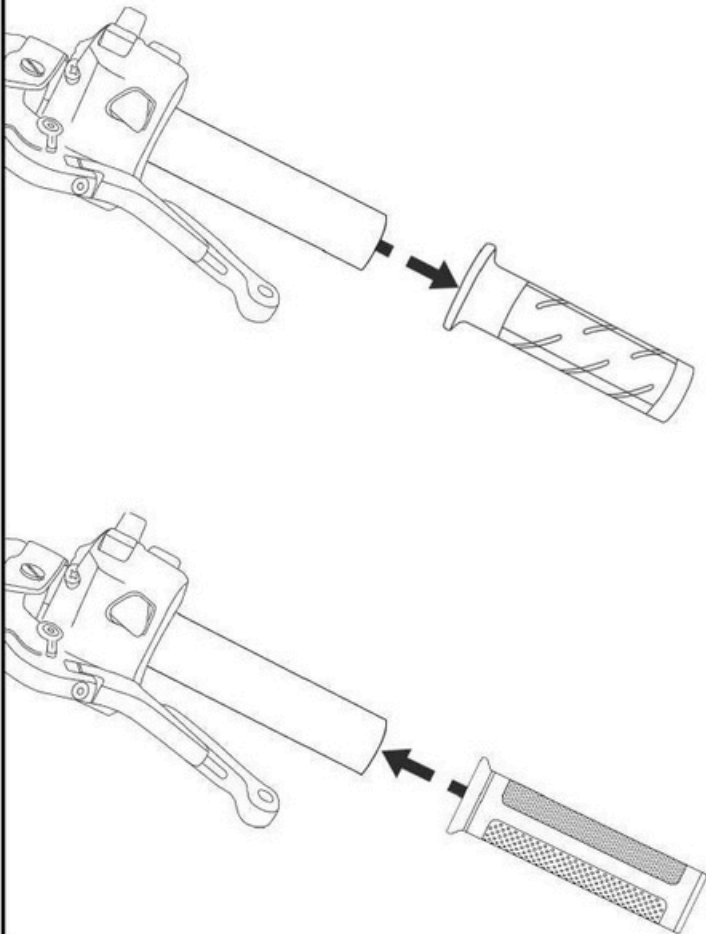
## *Moto Morini models with electronic-operated throttle (ride-by-wire throttle)*

### RIDE BY WIRE MOUNTING

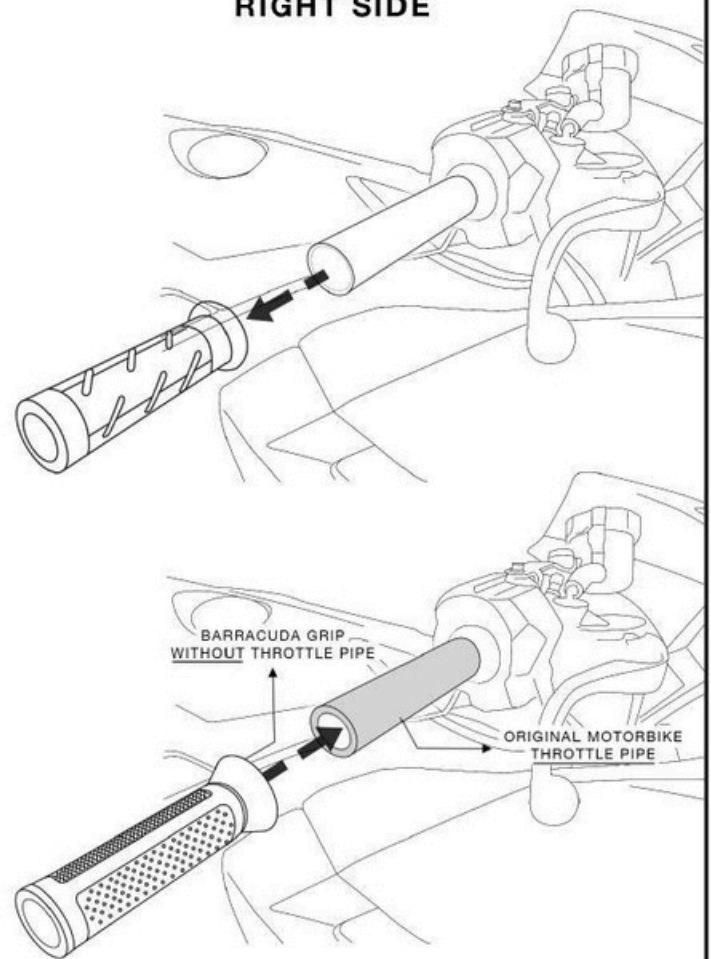
REMOVE THE THROTTLE PIPE  
FROM BARRACUDA GRIPS



LEFT SIDE



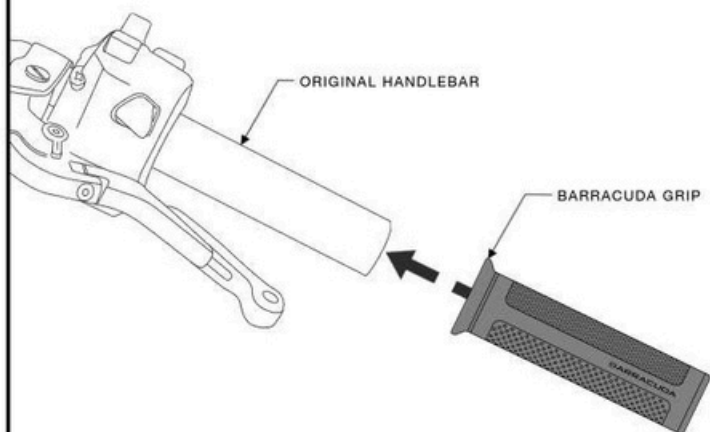
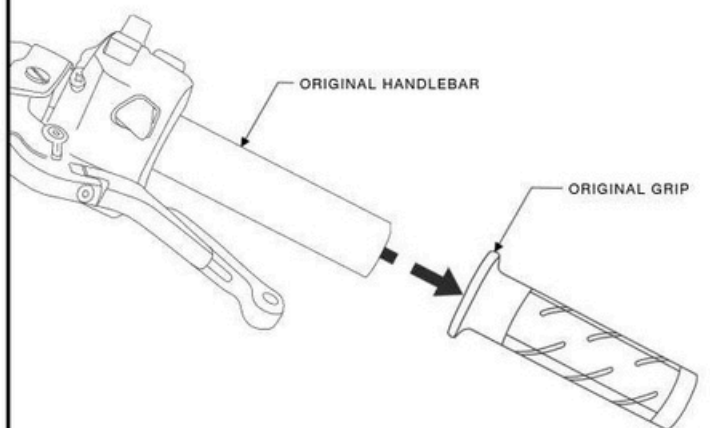
RIGHT SIDE



**ASSEMBLING INSTRUCTION*****Basic grips compatible with all Moto Morini models*****IMPORTANT**

COMPATIBLE ONLY WITH FOLLOWING GRIPS CODE :

- BASIC GRIP : **N1026-B**
- CLASSIC BASIC GRIP : **N1026-CB**
- BASIC RACING : **N1026-BRR**

**LEFT SIDE MOUNTING****RIGHT SIDE MOUNTING**