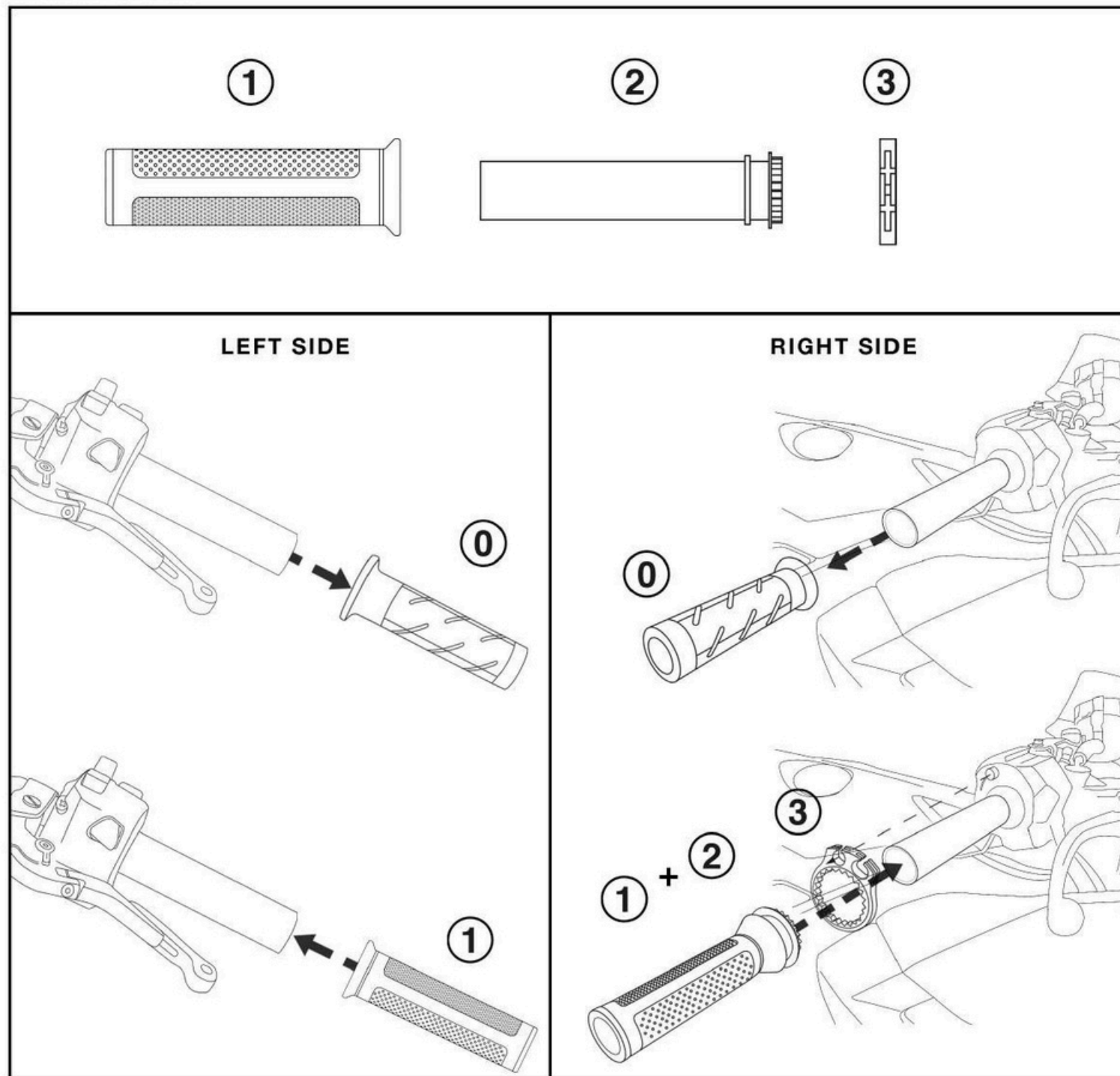


ASSEMBLING INSTRUCTION***B-Lux & Racing grips*****KIT**

- 0.** ORIGINAL COMPONENT
- 1.** THROTTLE PIPE
- 2.** GRIPS
- 3.** THROTTLE ADAPTER

BMW models with mechanical-operated throttle**COMPLETE SET**

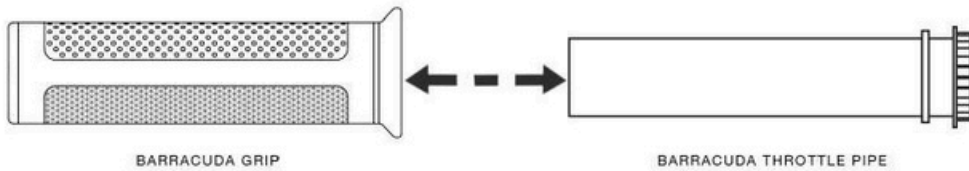
ASSEMBLING INSTRUCTION *B-Lux & Racing grips*

- KIT**
- 0. ORIGINAL COMPONENT
 - 1. THROTTLE PIPE
 - 2. GRIPS
 - 3. THROTTLE ADAPTER

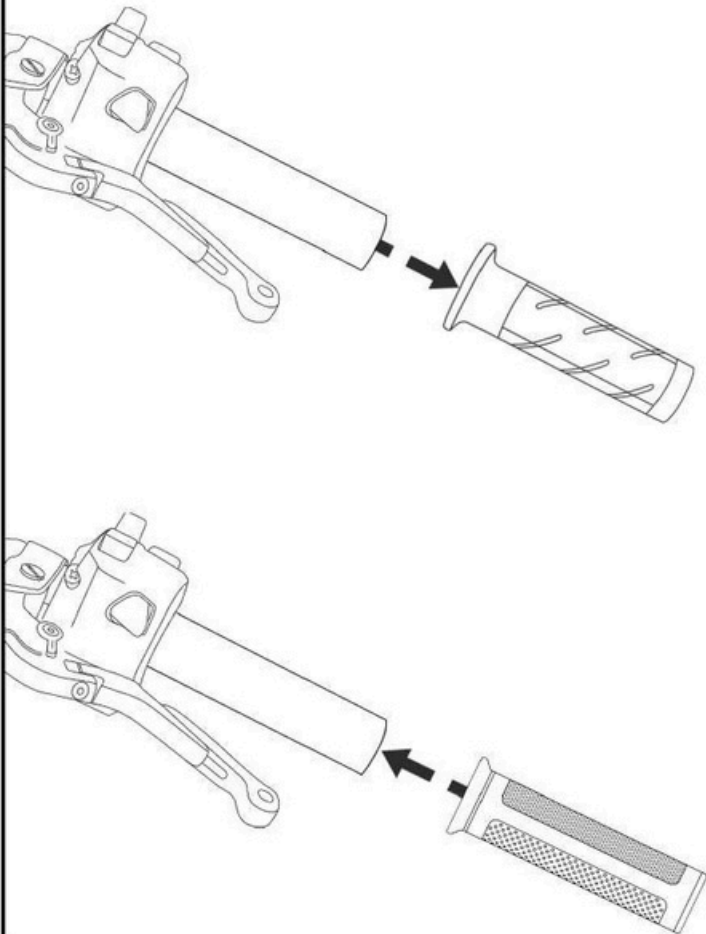
BMW models with electronic-operated throttle (ride-by-wire throttle)

RIDE BY WIRE MOUNTING

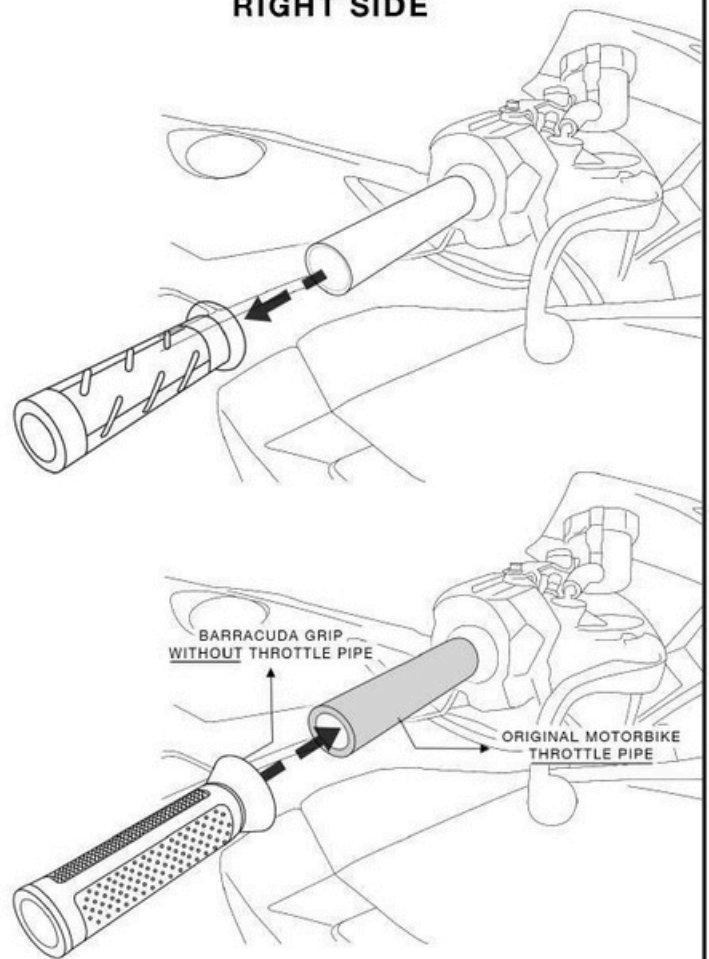
REMOVE THE THROTTLE PIPE
FROM BARRACUDA GRIPS



LEFT SIDE



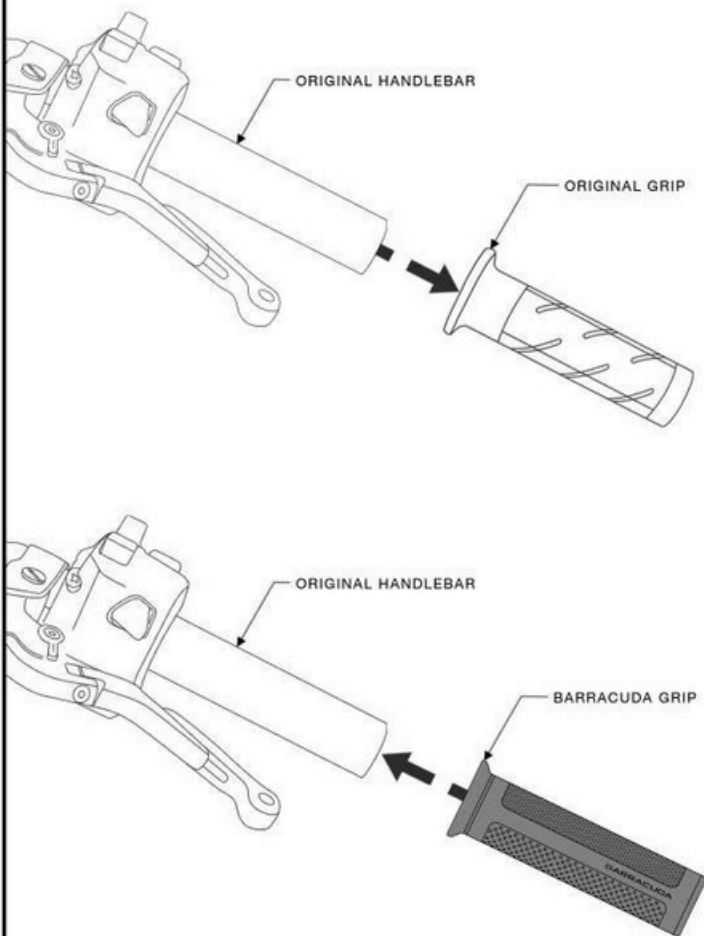
RIGHT SIDE



ASSEMBLING INSTRUCTION***Basic grips compatible with all BMW models*****IMPORTANT**

COMPATIBLE ONLY WITH FOLLOWING GRIPS CODE :

- BASIC GRIP : **N1026-B**
- CLASSIC BASIC GRIP : **N1026-CB**
- BASIC RACING : **N1026-BRR**

LEFT SIDE MOUNTING**RIGHT SIDE MOUNTING**