


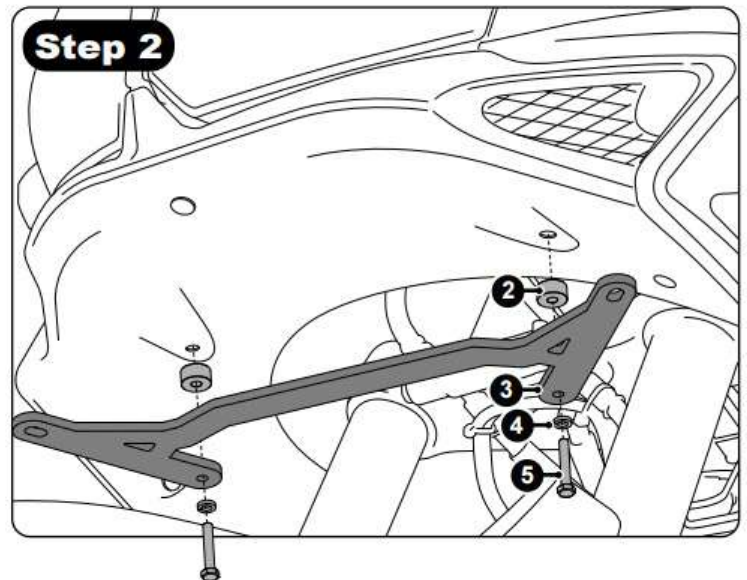
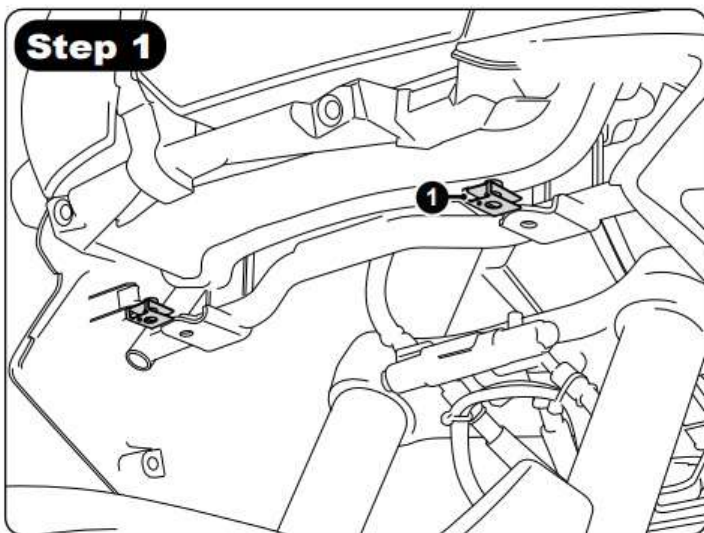


Kit Contents

| | | | | |
|--|---|---|--|--|
| 1 Clip-on Nut  MU.00.05.CLIP Qty.....2 | 2 Spacer  OD: 19mm ID: 6.5mm L: 6.3mm Qty.....2 | 3 Light Bracket  LAH.05.002 Qty.....1 | 4 Spring Lock Washer  M6.....DIN 127 Qty.....2 | 5 Hex Head Screw  M6x35.....DIN 931 Qty.....2 |
|--|---|---|--|--|



Step One: Remove the lower front cowl to expose the two mounting points illustrated above. Attach the supplied clip nuts onto the two mounting points. Once the clip nuts are in place, reinstall the lower front cowl to the motorcycle.

Step Two: Using the supplied hardware mount the light bracket to the motorcycle.