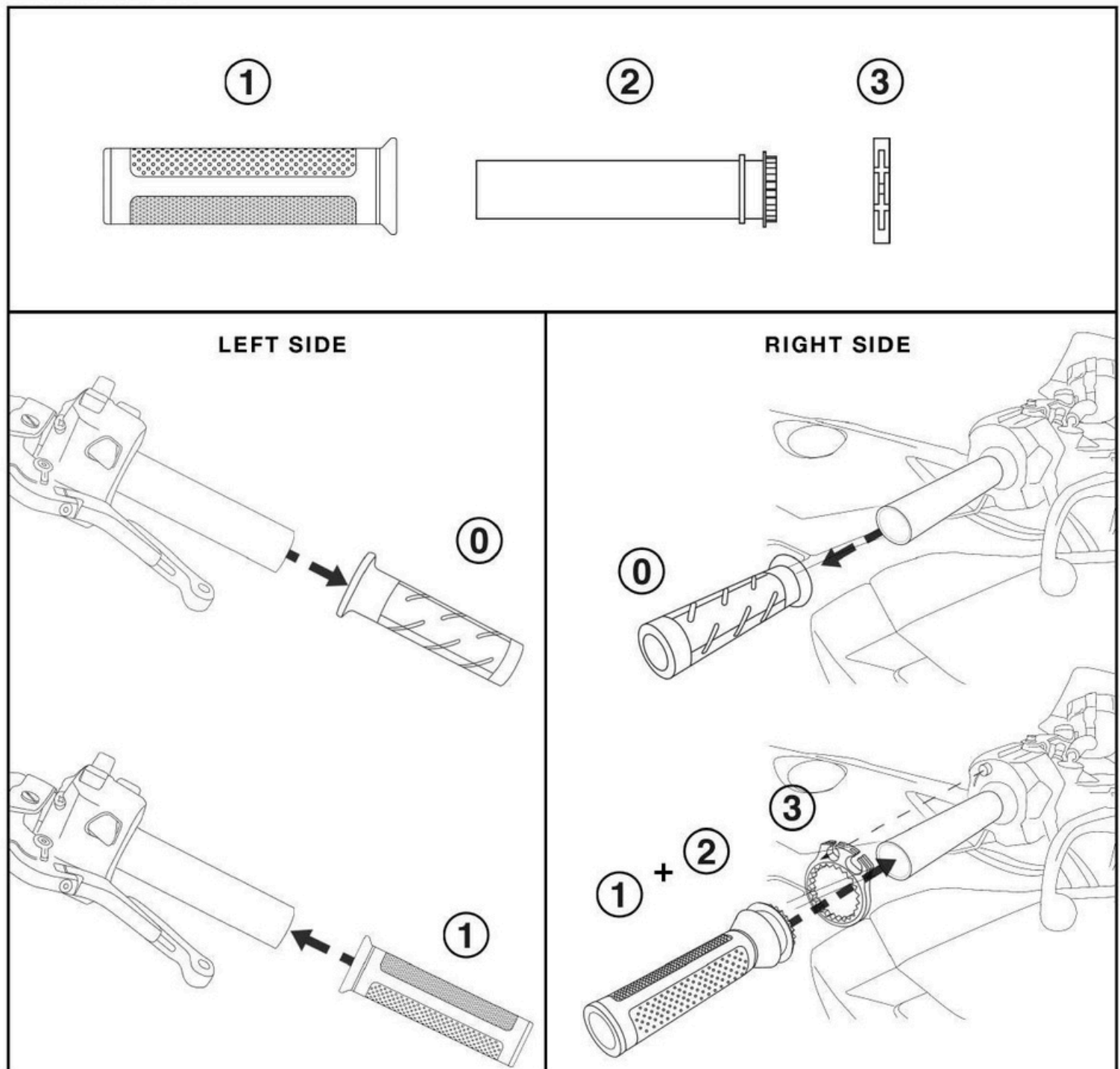


**ASSEMBLING INSTRUCTION*****B-Lux & Racing grips*****KIT**

- 0.** ORIGINAL COMPONENT
- 1.** THROTTLE PIPE
- 2.** GRIPS
- 3.** THROTTLE ADAPTER

***Zero models with mechanical-operated throttle*****COMPLETE SET**

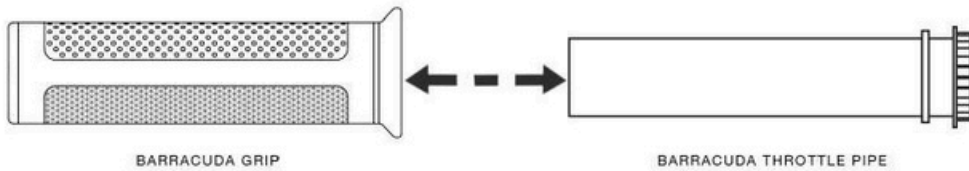
## ASSEMBLING INSTRUCTION *B-Lux & Racing grips*

- KIT**
- 0. ORIGINAL COMPONENT
  - 1. THROTTLE PIPE
  - 2. GRIPS
  - 3. THROTTLE ADAPTER

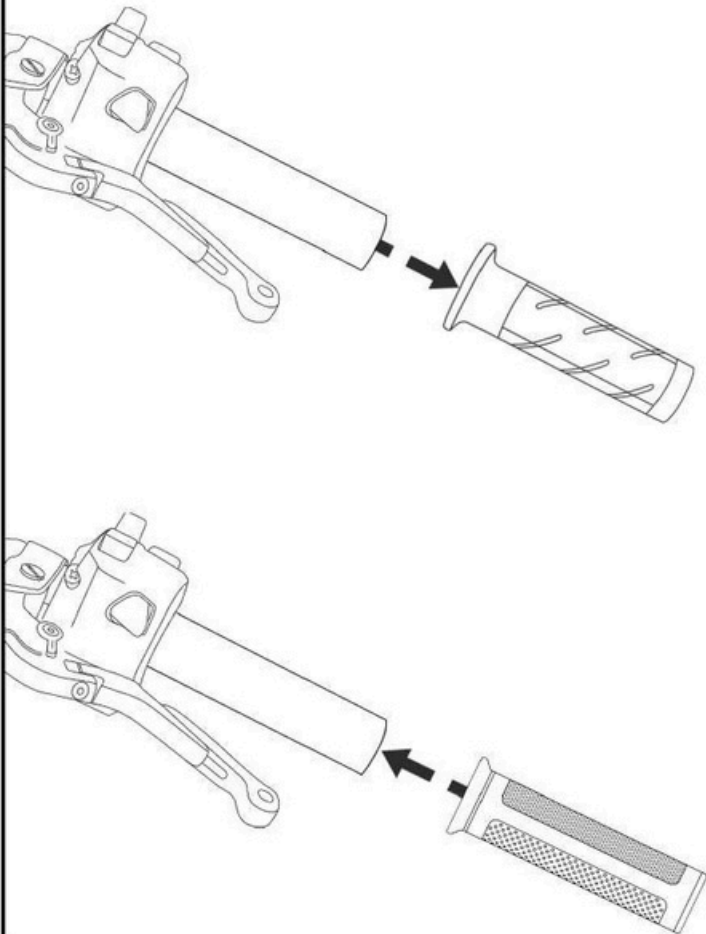
### *Zero models with electronic-operated throttle (ride-by-wire throttle)*

#### RIDE BY WIRE MOUNTING

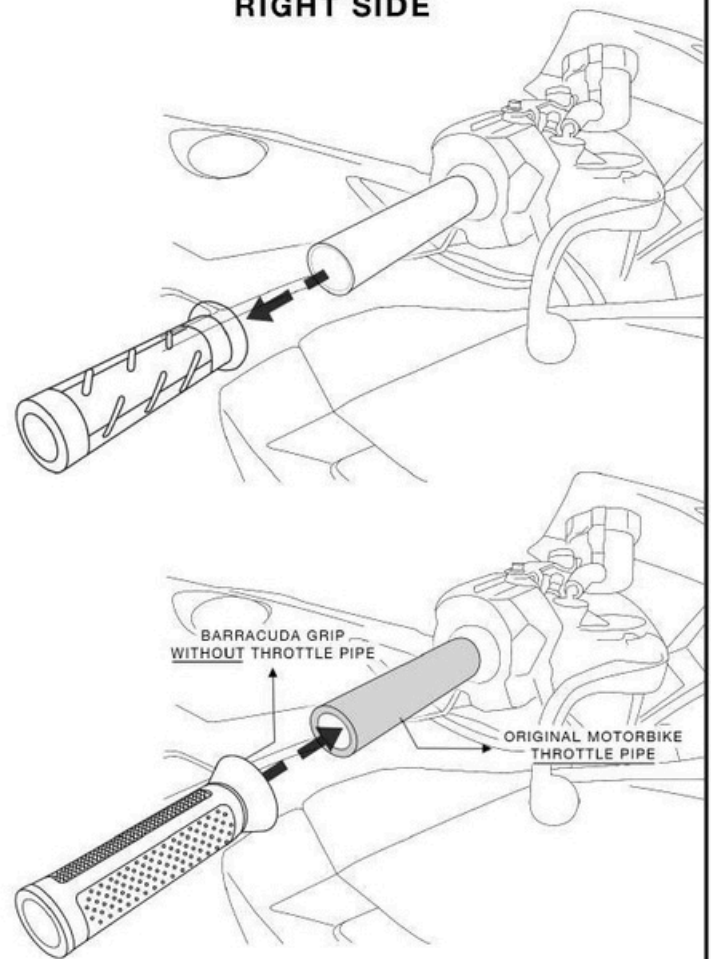
REMOVE THE THROTTLE PIPE  
FROM BARRACUDA GRIPS



LEFT SIDE



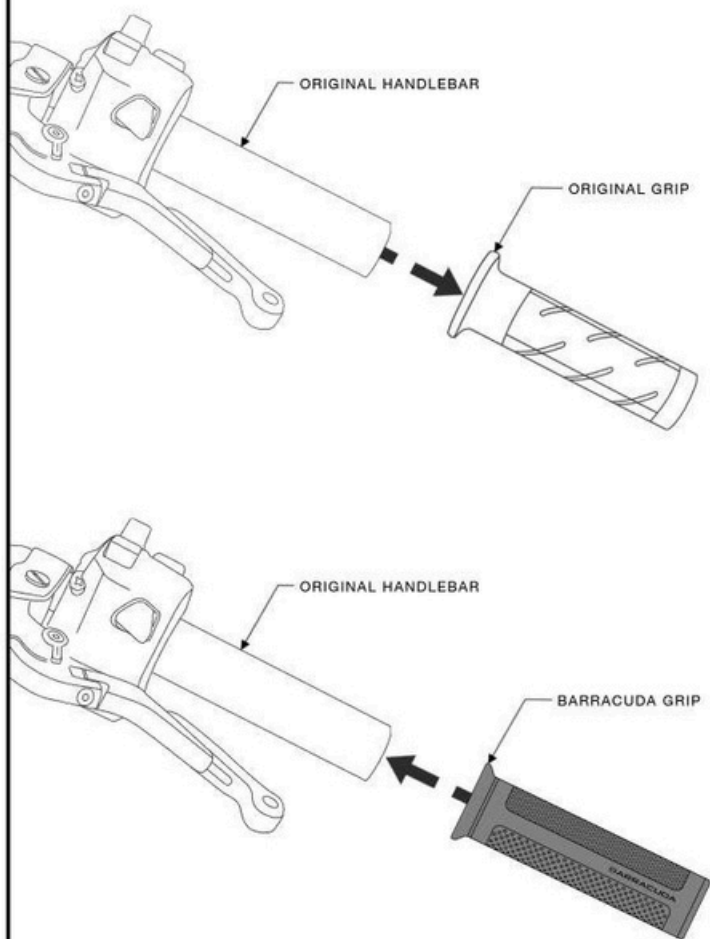
RIGHT SIDE



**ASSEMBLING INSTRUCTION*****Basic grips compatible with all Zero models*****IMPORTANT**

COMPATIBLE ONLY WITH FOLLOWING GRIPS CODE :

- BASIC GRIP : **N1026-B**
- CLASSIC BASIC GRIP : **N1026-CB**
- BASIC RACING : **N1026-BRR**

**LEFT SIDE MOUNTING****RIGHT SIDE MOUNTING**