



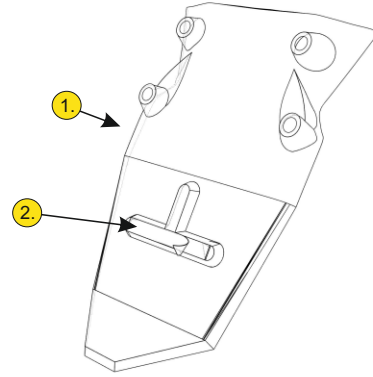
C-RACER
www.c-racer.com

INSTRUCTION

Model	Product	Code
KTM 390/290 Adventure	Rear Mud Guard	RMG-KTM390ADV

CONTENTS

1. 1pcs Rear Mud Guard
2. 1pcs duple side tipe 10X2X70



- 1.This product is ready for installation.
- 2.Remove the license plate and clean carefully the back of the plate.

3.First remove the film and then the cover from the two-side tape.

4.Fit the fender above the existing one and reset the license plate at the correct place.

Attention! Keep the plate open at the bottom side until you have both screws at the spot.

After the plate is fixed it will be difficult to align it.

At the end push the bottom to stick the plate on the two side tap

You are ready! Thank you for choosing one of our products.

The product is for race use only

For any further information please do not hesitate to contact us: Tel.: +30 2108075387 Email: info@c-racer.com