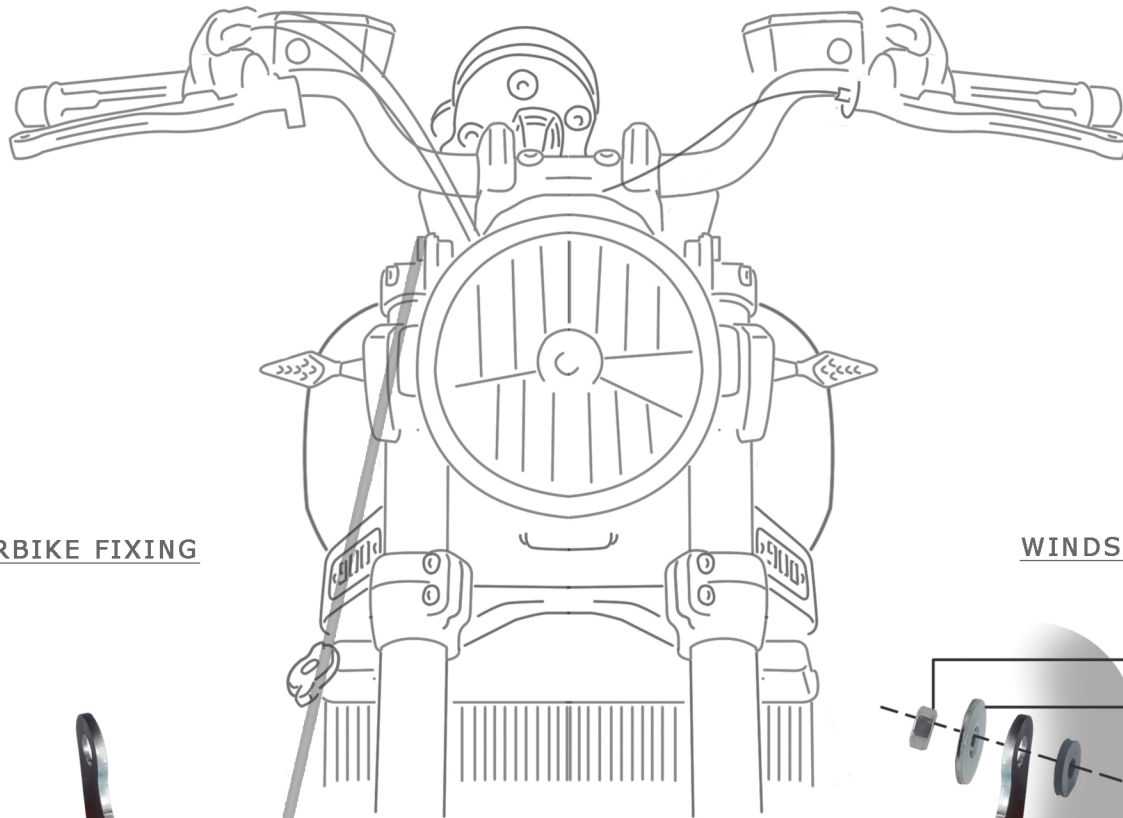
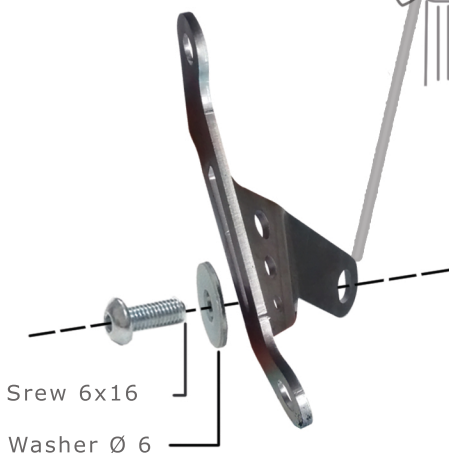
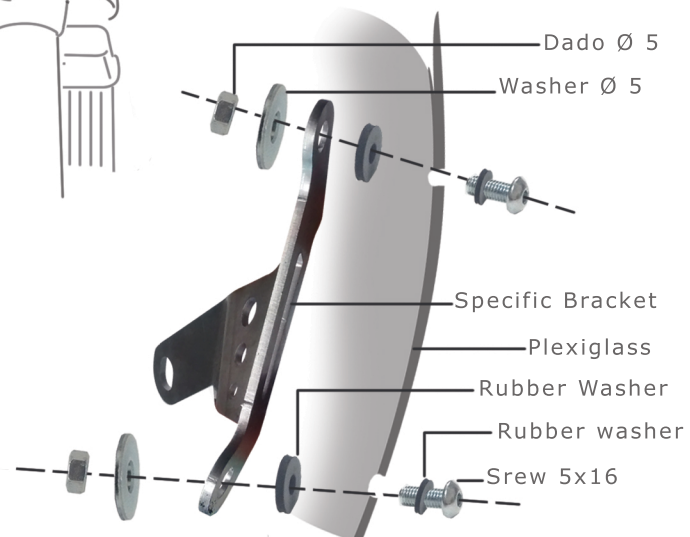


MOUNTING INSTRUCTION**WINDSHIELD KIT
YAMAHA XSR 900****YS9300**WWW.BARRACUDAMOTO.COM**MOUNTING PROCEDURE:**

- REMOVE THE ORIGINAL SCREWS AND INSTALL THE BARRACUDA BRACKETS OF WINDSHIELD USING THE SCREW 6X16 IN THE KIT;
- PUT ALL AS IN THE ILLUSTRATED SCHEME.
- FIND THE RIGHT POSITION OF WINDSHIELD ON THE BRACKETS ALREADY FIXED AND LOCK ALL THE SCREWS.

KIT

- X1. PLEXIGLASS
- X2. SPECIFIC BRACKETS
- X4. LARGE 3 WASHER Ø 5
- X4. AUTOLOCK NUT Ø 5
- X4. SCREW "ROUND HEAD" 5X16
- X2. SCREW "ROUND HEAD" 6X16
- X2. LARGE WASHER Ø 6
- X4. TEFLON WASHER Ø 5
- X4. RUBBER WASHER

**MOTORBIKE FIXING****WINDSHIELD FIXING****NOTE: NOT LOCK TOO MUCH TO AVOID DAMAGE TO THE PLEXIGLASS**