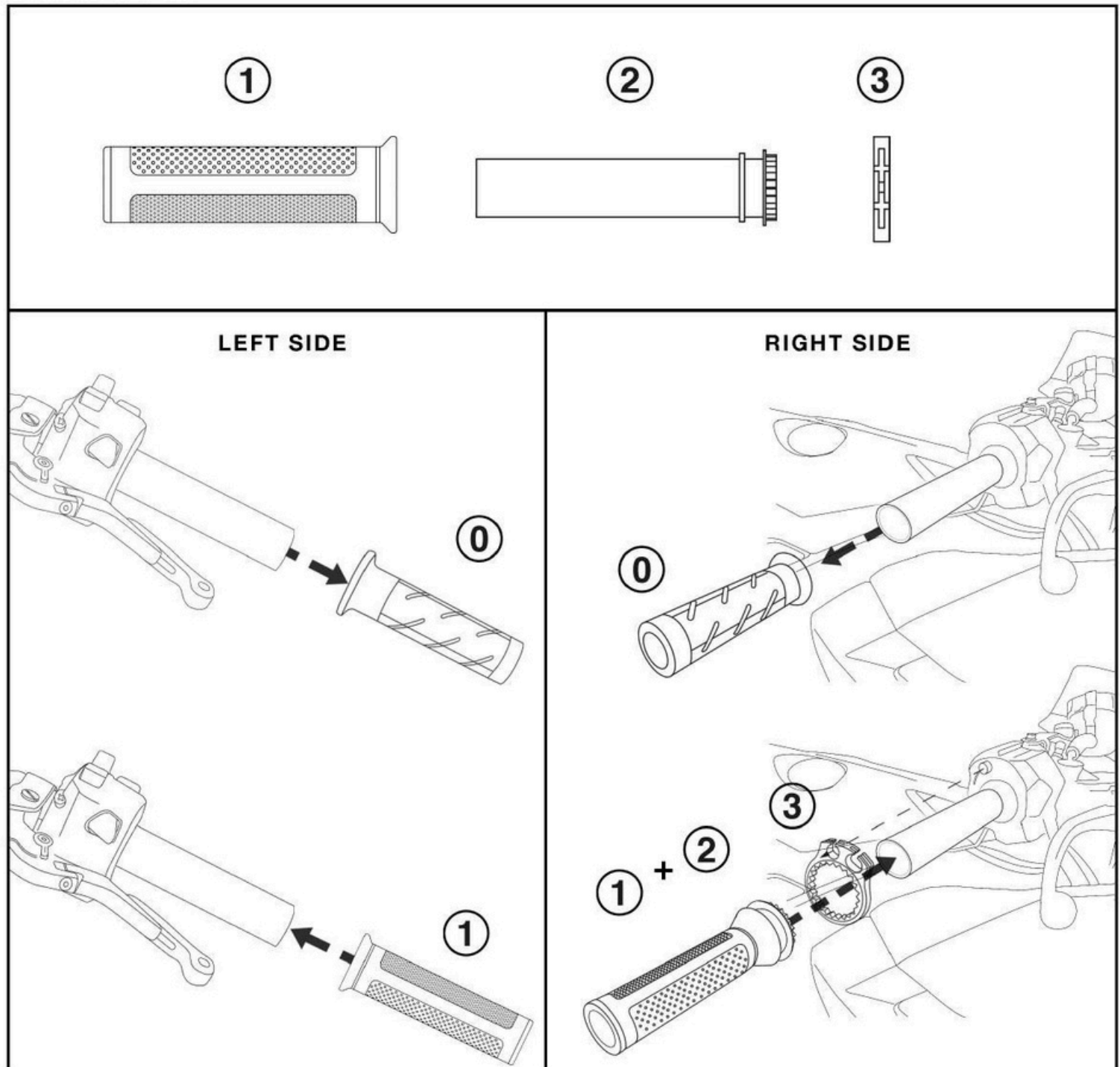


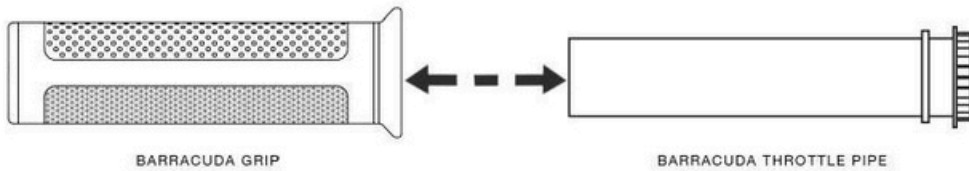
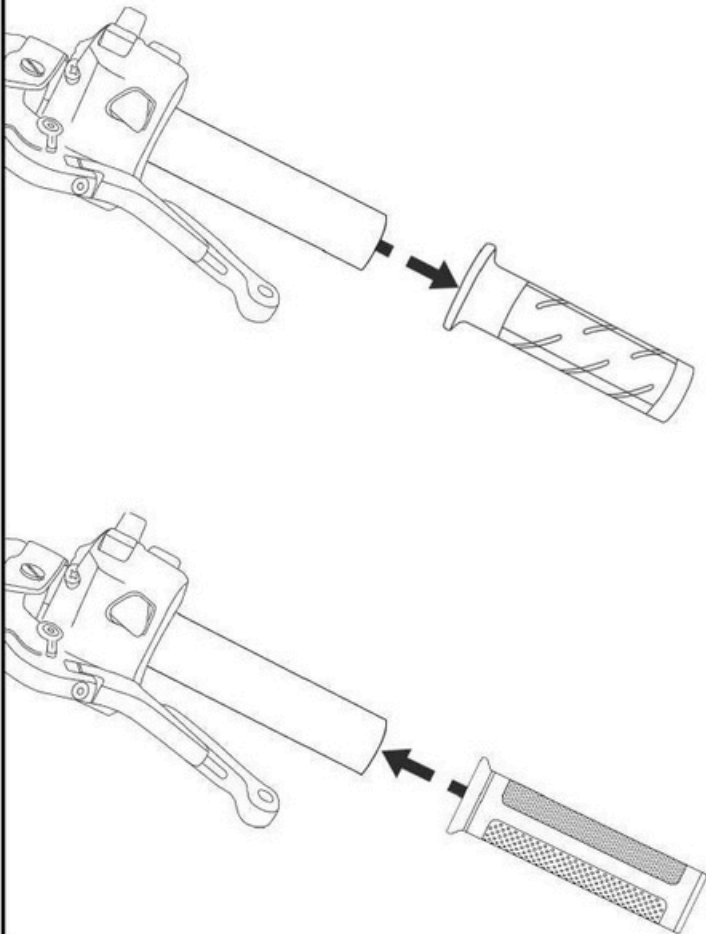
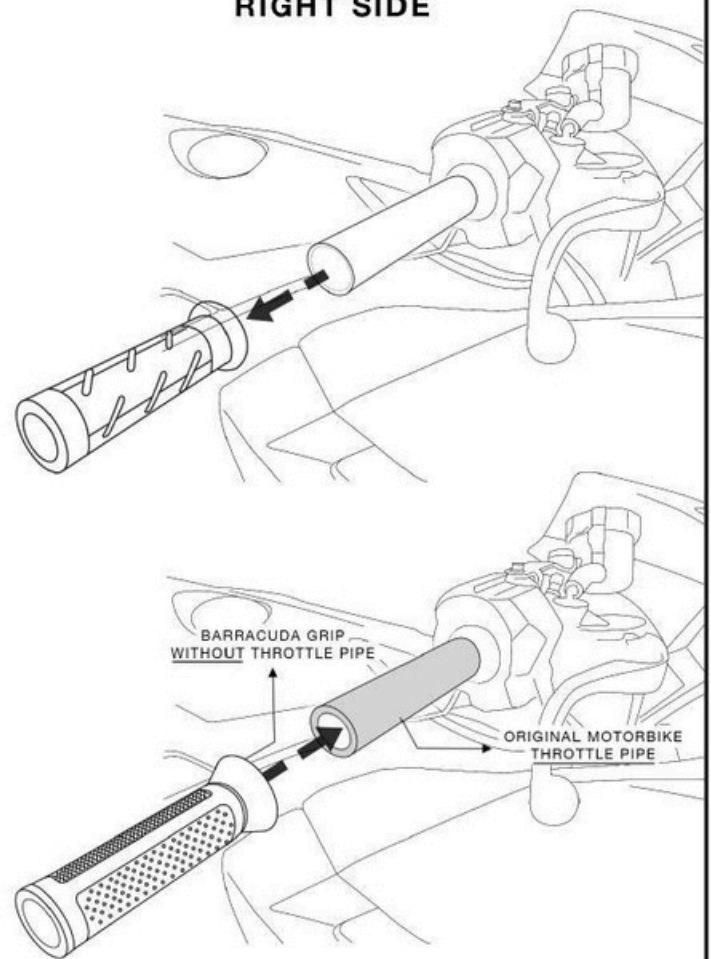
ASSEMBLING INSTRUCTION***B-Lux & Racing grips*****KIT**

- 0.** ORIGINAL COMPONENT
- 1.** THROTTLE PIPE
- 2.** GRIPS
- 3.** THROTTLE ADAPTER

Kawasaki models with mechanical-operated throttle**COMPLETE SET**

ASSEMBLING INSTRUCTION***B-Lux & Racing grips*****KIT**

- 0. ORIGINAL COMPONENT
- 1. THROTTLE PIPE
- 2. GRIPS
- 3. THROTTLE ADAPTER

***Kawasaki models with electronic-operated throttle
(ride-by-wire throttle)*****RIDE BY WIRE MOUNTING****REMOVE THE THROTTLE PIPE
FROM BARRACUDA GRIPS****LEFT SIDE****RIGHT SIDE**

ASSEMBLING INSTRUCTION

Basic grips compatible with all Kawasaki models

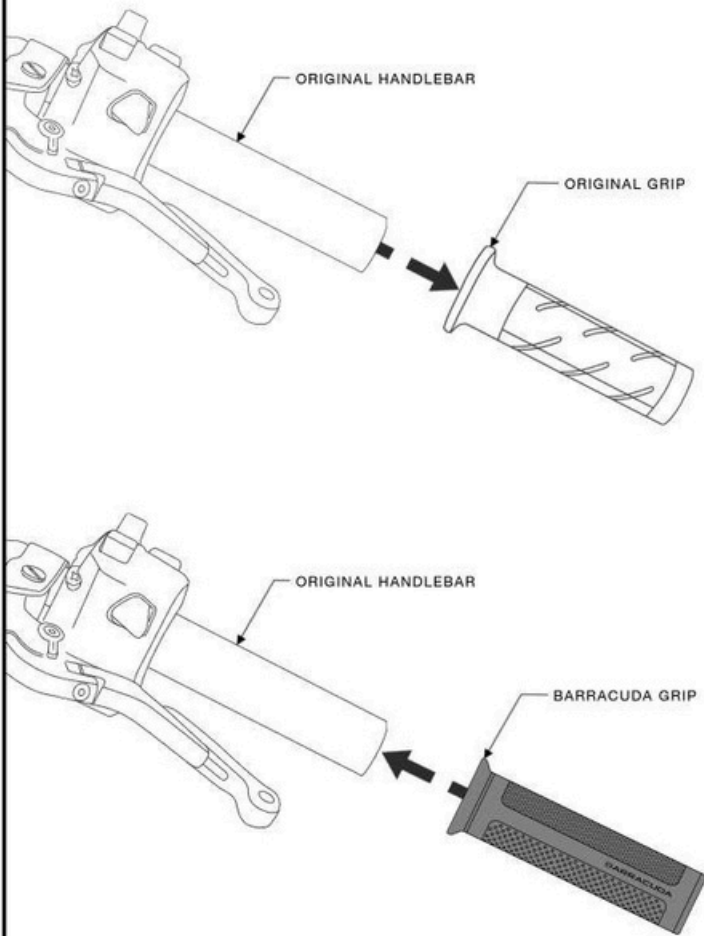


IMPORTANT

COMPATIBLE ONLY WITH FOLLOWING GRIPS CODE :

- BASIC GRIP : **N1026-B**
- CLASSIC BASIC GRIP : **N1026-CB**
- BASIC RACING : **N1026-BRR**

LEFT SIDE MOUNTING



RIGHT SIDE MOUNTING

